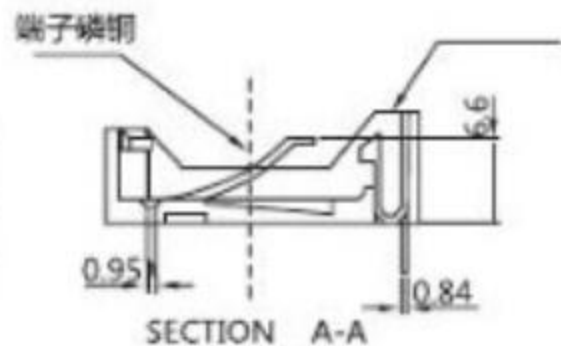
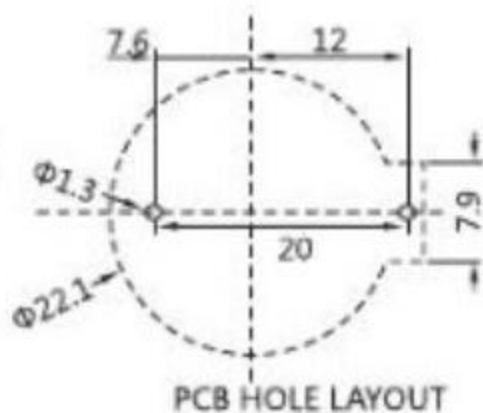
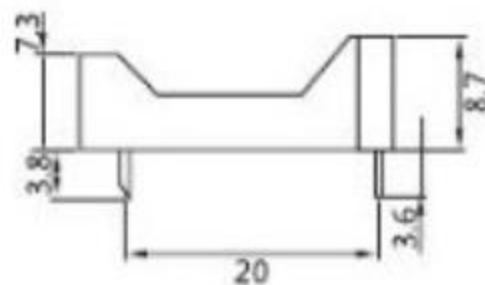
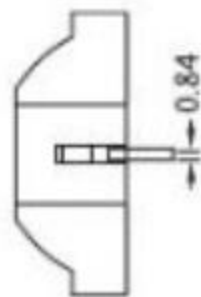
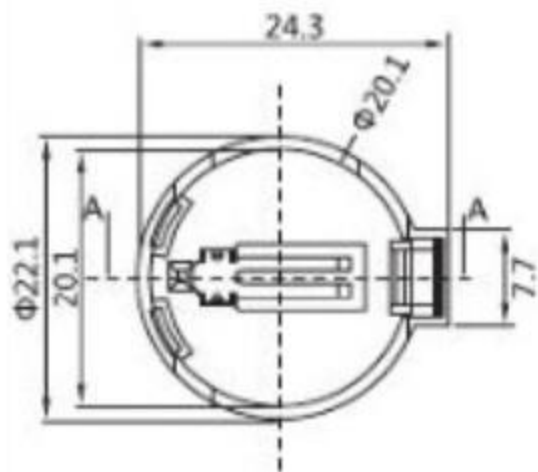


所有物质均符合环保要求



NOTE:

1. MATERIAL:
  - a. HOUSING: THERMOPLASTIC GLASS FIBRE UL94V-0 【塑胶材质】PPA料 (耐温240°-260°)
  - b. CONTACT: BRASS 【五金材质】磷青铜
2. ELECTRIC:
  - a. CONTACT RESISTANCE: 30 MILLIOHMS MAX 【电镀处理方式】Au1 μ''
  - b. INSULATION RESISTANCE: 1000 MEGA OHMS MIN 【适用范围】医疗设备、数码玩具、工控主板、消防等
  - c. DIELECTRIC VOLTAGE: 750V AC ONE SEC LEVEL 【装箱规格】100只x25层=2500只 (吸塑包装)
  - d. OPERATING TEMPERATURE: -55 ~ C ~ +85 ~ C 2500只x2捆=5000只每箱

③	SPRING	1	STAINLESS STEEL	Ni PLATED	
②	TERMINAL	1	COPPER ALLOY	Au PLATED	
①	Housing	1	HIGH TEMP	Black	
NO.	PART NAME	QTY	MATERIAL	DESCRIPTION	REMARK

UNLESS OTHERWISE,  
GENERAL TOLERANCE:  
X.xxx ±0.10  
X.xx ±0.20  
X.x ±0.30  
X. ±0.38  
ANGULAR:  
X.xx ±1'  
X.x ±3'  
X. ±5'

**东莞市高迪电子有限公司**

TITLE: 电池座卧式  
客户图  
P/N:  
MODEL:  
DRAW NO.:

THIRD ANGLE PROJECTION	UNIT: mm	SCALE: 1:1	SIZE: A4	SHEET: 1/1
------------------------	----------	------------	----------	------------

JH2016-061	E	修改图面与实物相符	2016.05.31	Bin	DESIGN	陈少兵	2016.05.31
	D	更新图面	2015.09.23	陈少兵	CHECK	郑小伟	2016.05.31
	C	调整尺寸公差	2013.07.04	陈少兵	APPROVAL	吕海涛	2016.05.31
ECN NO.	REV.	DESCRIPTION	DATE	CHANGE	APPROVAL		